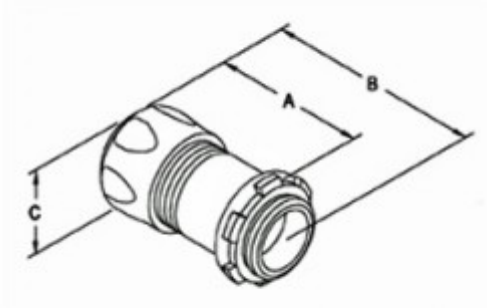


## Raintight Connector, Compression, Steel, Size 1-1/4"

Used to join EMT to box or enclosure. Concrete tight/Raintight

[Download Photo](#)[Download Drawing](#)

### Product details

<b>Catalog Number:</b>	253-SRT
<b>UPC Number:</b>	781747202536
<b>Primary Materials:</b>	Steel
<b>Finish:</b>	Zinc electro-plate
<b>Trade Size:</b>	1-1/4"
<b>Standard Package Quantity:</b>	25

### Dimensions

<b>Trade Size:</b>	1-1/4"
<b>Dimensions A:</b>	2-3/32
<b>Dimensions B:</b>	2-11/16
<b>Dimensions C:</b>	1-15/16

### Certifications & Codes

**Federal Specification Number:** A-A-50553

**UL File Number:** E24001

**UNSPSC:** 39121434

**Nema Standard:** FB-1

**UL Standard:** UL-514B